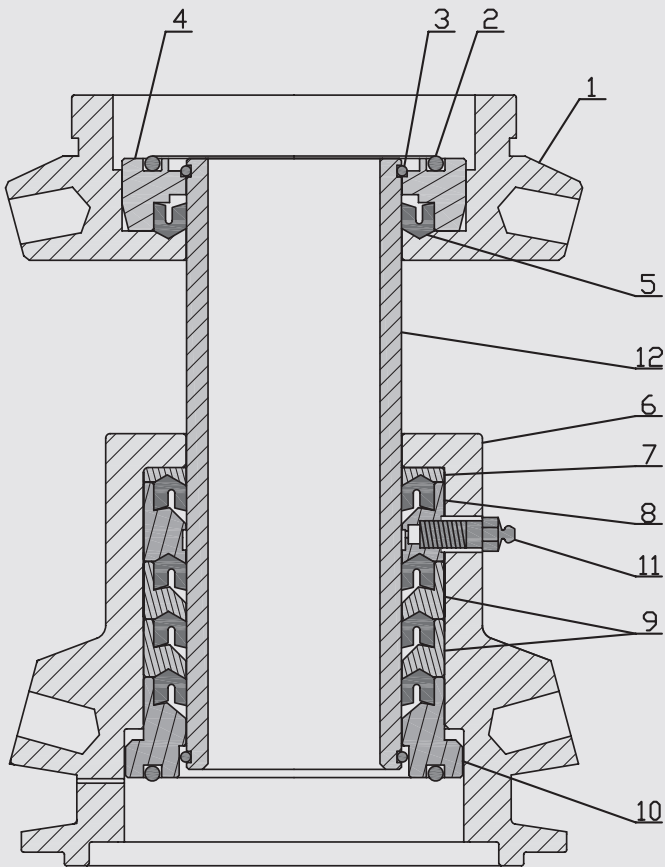


**OILWELL PC100/150  
PC225/650**



| Item# | Qty | Description                                      | PC100/150 Part Number | PC225/650 Part Number |
|-------|-----|--|-----------------------|-----------------------|
| 1     | 1   | Ring Nut   | SW-22-032-002         | SW-22-025-160         |
| 2     | 2   | O-Ring   | SW-99-607-344         | SW-99-607-427         |
| 3     | 2   | Snap Ring  | SW-22-032-000         | SW-22-025-164         |
| 4     | 1   | Top Adapter Ring                                 | SW-22-032-001         | SW-22-025-169         |
| 5     | 5   | Packing Ring                                     | SW-22-028-181         | SW-22-034-017         |
| 6     | 1   | Packing Housing                                  | SW-22-032-004         | SW-22-025-166         |
| 7     | 1   | Packing Adapter Ring                             | SW-22-032-005         | SW-22-034-016         |
| 8     | 1   | lantern Ring                                     | SW-22-028-186         | SW-22-034-015         |
| 9     | 2   | Spacer Ring                                      | SW-22-028-187         | SW-22-034-013         |
| 10    | 1   | Bottom Adapter Ring                              | SW-22-032-006         | SW-22-034-014         |
| 11    | 1   | Grease Fitting                                   | SW-64-016-115         | SW-64-016-115         |
| 12    | 1   | Washpipe c/w Snap Ring<br>(Includes Item 3)      | SW-70-109-16          | SW-70-109-18          |
| 13    | 1   | Washpipe Packing<br>(Includes Items 5 & 2)       | SW-75-109-16          | SW-75-109-18          |
|       |     | Cartridge Assembly<br>(Includes Items 1 thru 13) | SW-22-030-012         | SW-22-035-012         |